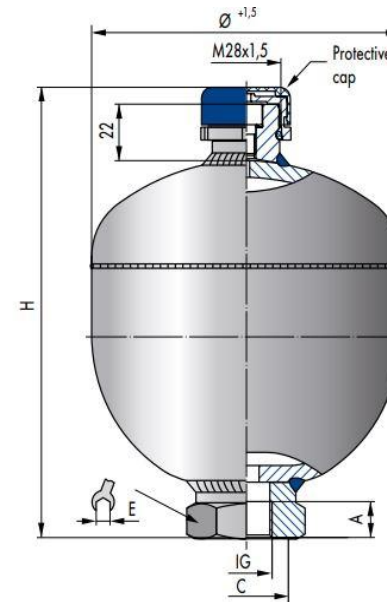
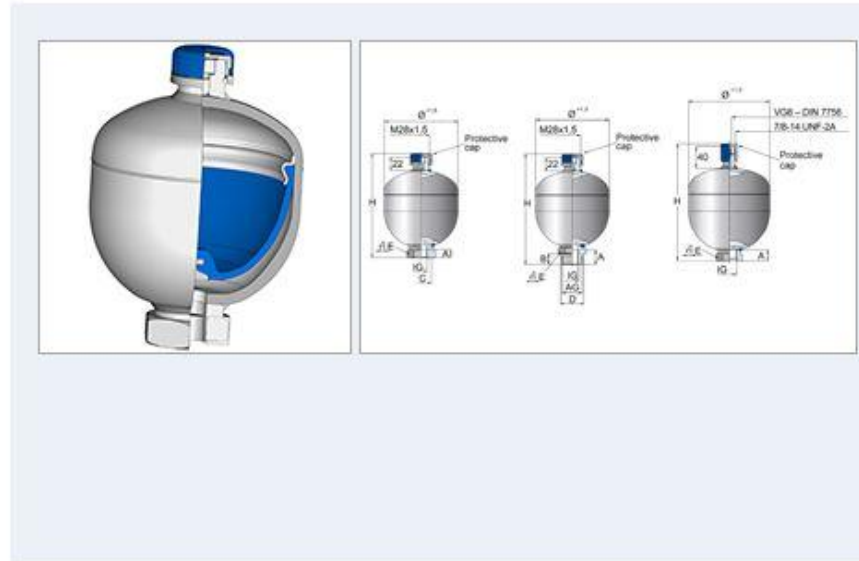


Diaphragm Accumulator | 50 - 1315 - 13 - 611 | 0,5 L - 210/0 BAR ESC_VOL_IMP | 106,7 X 159 MM ESC_IN | Steel /Membrane / Bladder- NBR | CE / PED



| | |
|--------------|------------------------|
| item no. | 37005085 |
| availability | on demand |
| IG | G 1/2 |
| AG | none |
| gas port | Standard EU M28x1,5 |
| A | 17 |
| certificate | CE / PED |
| E | WS 41 |
| outer Ø | 106.7 mm |
| H | 159 mm |
| material | NBR |

Item attributes 37005085 (Accumulator Diaphragm Accumulator)

| | | | |
|--|---------------------|--------------------------------------|----------|
| design | DACC | temperature max. (temp. max.) | 80 ° C |
| brand | Freudenberg | oil port wrench size (E) | WS 41 |
| country of origin | DE | outer diameter (outer Ø) | 106.7 mm |
| inner thread oil side (IG) | G 1/2 | height (H) | 159 mm |
| outer thread oil side (AG) | none | shore hardness | |
| gas port (gas port) | Standard EU M28x1,5 | material | NBR |
| IG insertion depth oil side (A) | 17 | packaging unit | 1 pcs. |
| temperature min. (temp. min.) | -20 ° C | net weight | 2000 gr. |