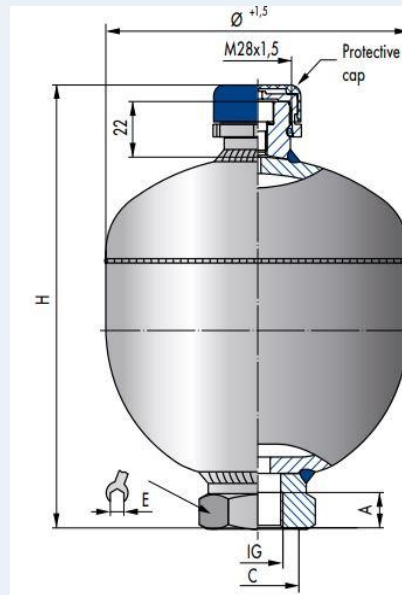
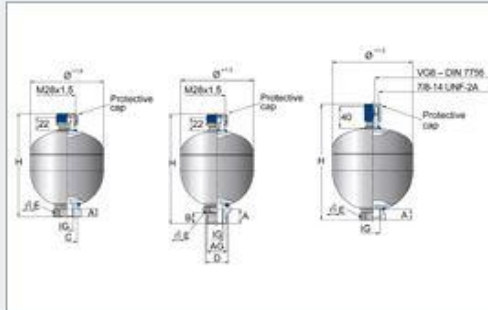


Diaphragm Accumulator | 50 - 1315 - 94 - 511 | 0,5 L - 160/0 BAR ESC\_VOL\_IMP | 103 X 167 MM ESC\_IN | Steel /Membrane / Bladder- NBR | CE / PED



item no.	37005086
availability	on demand
IG	M 22x1,5
AG	M 33x1,5
gas port	Standard EU M28x1,5
A	24
B	18
certificate	CE / PED
D	39
E	WS 41
outer Ø	103 mm
H	167 mm
material	NBR

Item attributes 37005086 (Accumulator Diaphragm Accumulator)

design	DACC	temperature max. (temp. max.)	80 ° C
brand	Freudenberg	liquid connection OT sealing surface (D)	39
country of origin	DE	oil port wrench size (E)	WS 41
inner thread oil side (IG)	M 22x1,5	outer diameter (outer Ø)	103 mm
outer thread oil side (AG)	M 33x1,5	height (H)	167 mm
gas port (gas port)	Standard EU M28x1,5	shore hardness	
IG insertion depth oil side (A)	24	material	NBR
AG insertion depth oil side (B)	18	packaging unit	1 pcs.
temperature min. (temp. min.)	-20 ° C	net weight	1600 gr.