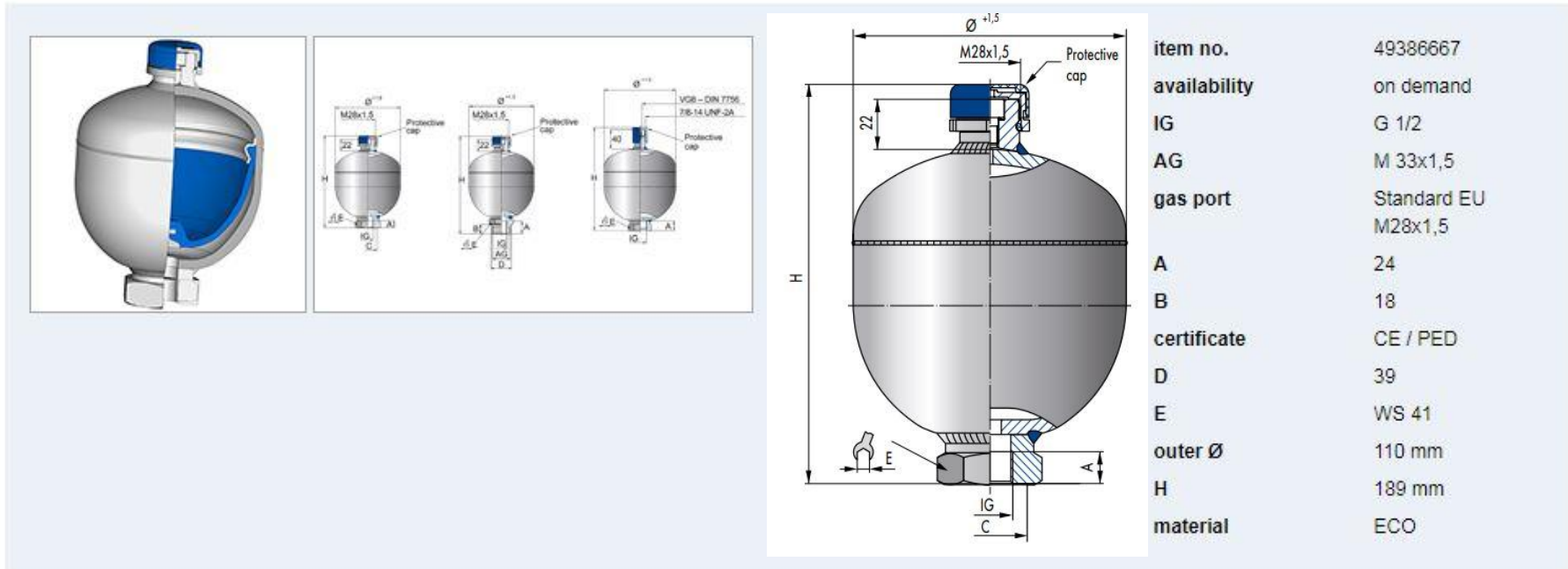


Diaphragm Accumulator | 60 - 1315 - 23 - 741 | 0,6 L - 330/0 BAR | 110 X 189 MM | Steel /Membrane / Bladder - ECO | CE / PED



Item attributes 49386667 (Accumulator Diaphragm Accumulator)

design	DACC	temperature max. (temp. max.)	80 ° C
brand	Freudenberg	liquid connection OT sealing surface (D)	39
country of origin	DE	oil port wrench size (E)	WS 41
inner thread oil side (IG)	G 1/2	outer diameter (outer Ø)	110 mm
outer thread oil side (AG)	M 33x1,5	height (H)	189 mm
gas port (gas port)	Standard EU M28x1,5	shore hardness	
IG insertion depth oil side (A)	24	material	ECO
AG insertion depth oil side (B)	18	packaging unit	1 pcs.
temperature min. (temp. min.)	-40 ° C	net weight	3000 gr.