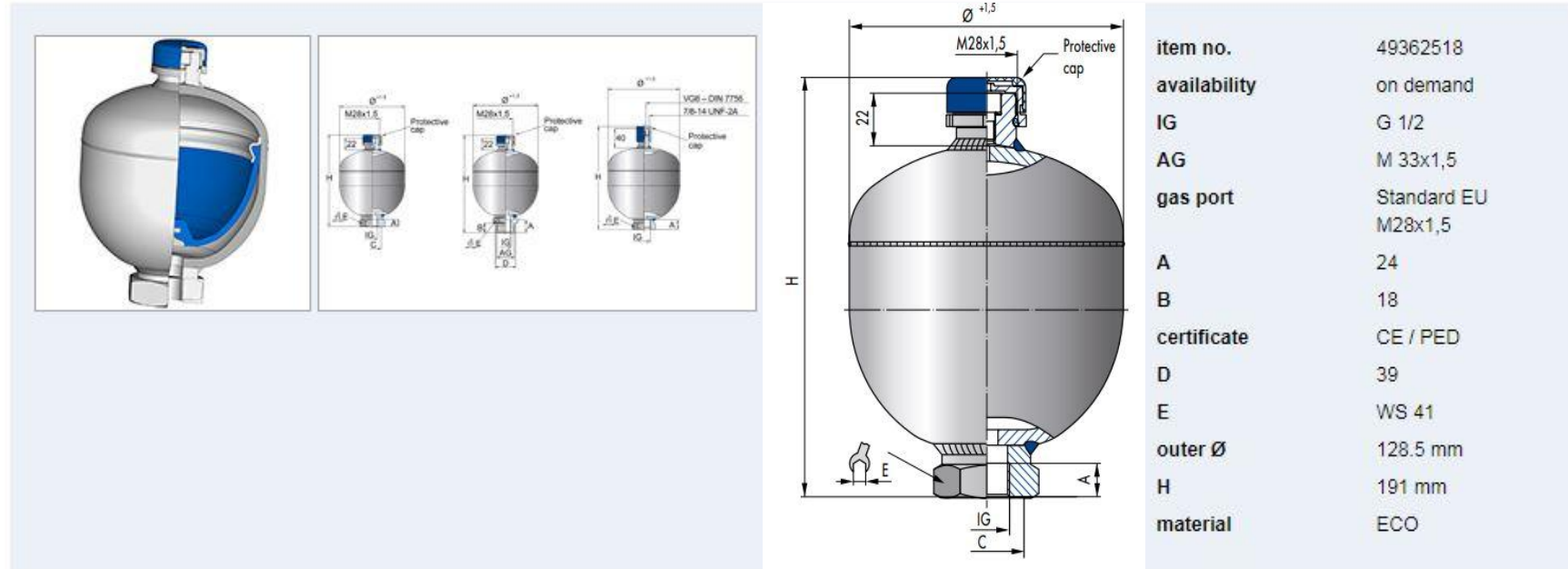


Diaphragm Accumulator | 75 - 1315 - 22 - 741 | 0,75 L - 350/0 BAR | 128,5 X 191 MM | Steel /Membrane / Bladder - ECO | CE / PED



item no.	49362518
availability	on demand
IG	G 1/2
AG	M 33x1,5
gas port	Standard EU M28x1,5
A	24
B	18
certificate	CE / PED
D	39
E	WS 41
outer Ø	128.5 mm
H	191 mm
material	ECO

Item attributes 49362518 (Accumulator Diaphragm Accumulator)

design	DACC	temperature max. (temp. max.)	80 ° C
brand	Freudenberg	liquid connection OT sealing surface (D)	39
country of origin	DE	oil port wrench size (E)	WS 41
inner thread oil side (IG)	G 1/2	outer diameter (outer Ø)	128.5 mm
outer thread oil side (AG)	M 33x1,5	height (H)	191 mm
gas port (gas port)	Standard EU M28x1,5	shore hardness	
IG insertion depth oil side (A)	24	material	ECO
AG insertion depth oil side (B)	18	packaging unit	1 pcs.
temperature min. (temp. min.)	-40 ° C	net weight	4000 gr.