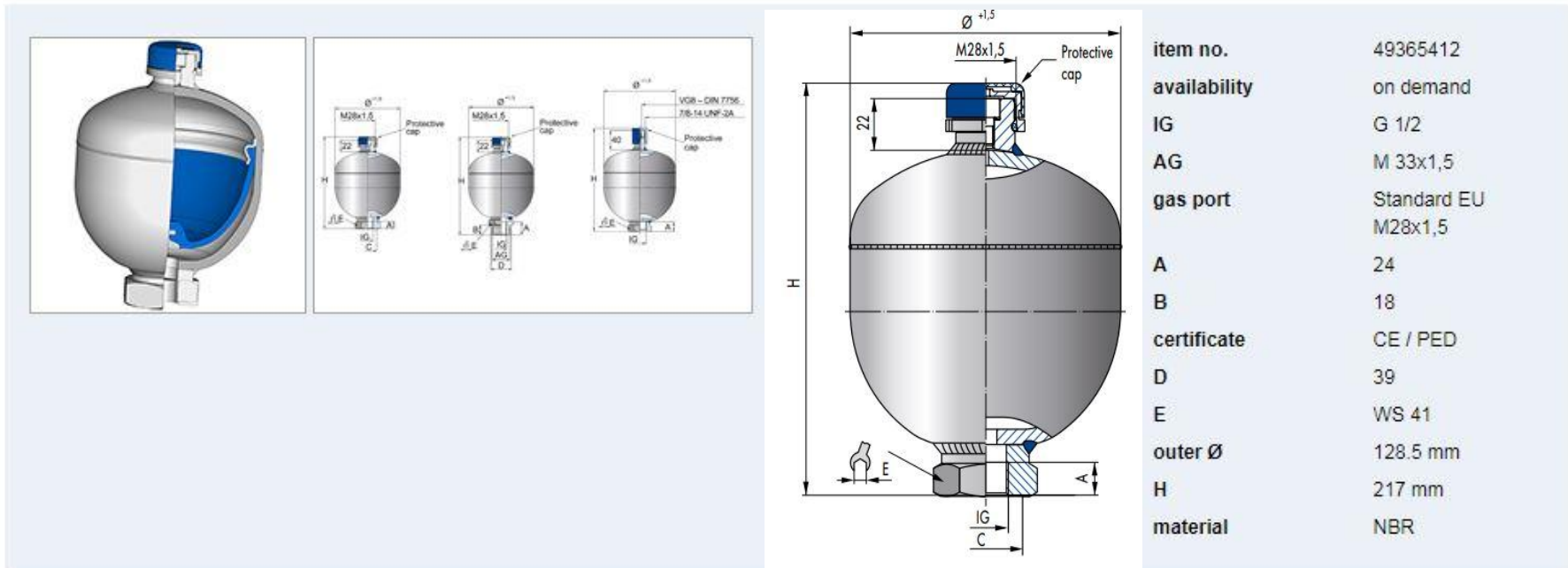


Diaphragm Accumulator | 100 - 1315 - 53 - 711 | 1 L - 350/0 BAR | 128,5 X 217 MM | Steel /Membrane / Bladder- NBR | CE / PED



Item attributes 49365412 (Accumulator Diaphragm Accumulator)

design	DACC	temperature max. (temp. max.)	80 ° C
brand	Freudenberg	liquid connection OT sealing surface (D)	39
country of origin	DE	oil port wrench size (E)	WS 41
inner thread oil side (IG)	G 1/2	outer diameter (outer \varnothing)	128.5 mm
outer thread oil side (AG)	M 33x1,5	height (H)	217 mm
gas port (gas port)	Standard EU M28x1,5	shore hardness	
IG insertion depth oil side (A)	24	material	NBR
AG insertion depth oil side (B)	18	packaging unit	1 pcs.
temperature min. (temp. min.)	-20 ° C	net weight	4700 gr.