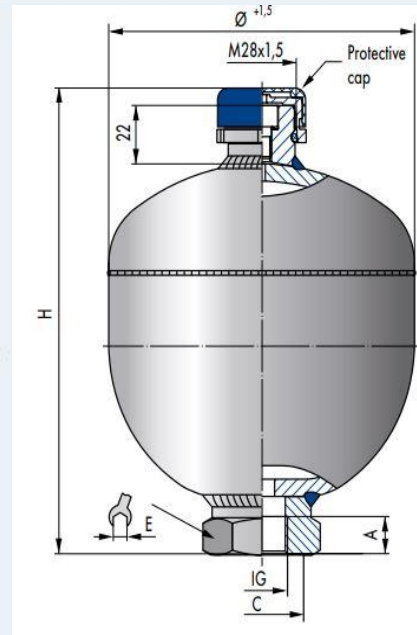
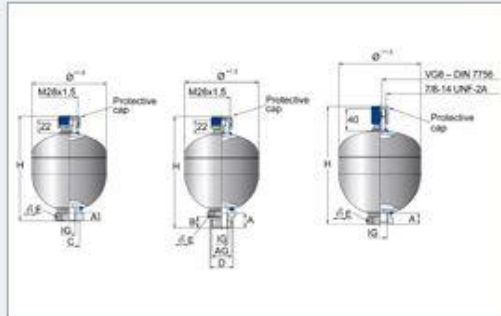


Diaphragm Accumulator | 140 - 1315 - 22 - 711 | 1,4 L - 350/0 BAR | 156 X 212 MM | Steel /Membrane / Bladder- NBR | CE / PED



item no.	49362285
availability	on demand
IG	G 1/2
AG	M 33x1,5
gas port	Standard EU M28x1,5
A	24
B	18
certificate	CE / PED
D	39
E	WS 41
outer Ø	156 mm
H	212 mm
material	NBR

Item attributes 49362285 (Accumulator Diaphragm Accumulator)

design	DACC	temperature max. (temp. max.)	80 ° C
brand	Freudenberg	liquid connection OT sealing surface (D)	39
country of origin	DE	oil port wrench size (E)	WS 41
inner thread oil side (IG)	G 1/2	outer diameter (outer Ø)	156 mm
outer thread oil side (AG)	M 33x1,5	height (H)	212 mm
gas port (gas port)	Standard EU M28x1,5	shore hardness	
IG insertion depth oil side (A)	24	material	NBR
AG insertion depth oil side (B)	18	packaging unit	1 pcs.
temperature min. (temp. min.)	-20 ° C	net weight	6835 gr.