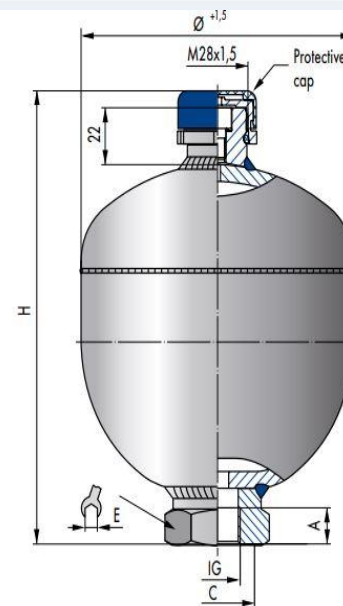
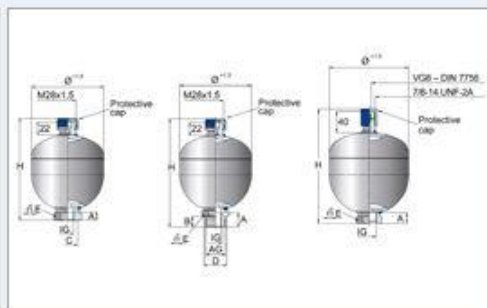


Diaphragm Accumulator | 140 - 1315 - 122 - 611 | 1,4 L - 250/0 BAR ESC_VOL_IMP | 152 X 213 MM ESC_IN | Steel / Membrane / Bladder- NBR | CE / PED



item no.	49333012
availability	on demand
IG	G 1/2
AG	M 33x1,5
gas port	Standard EU M28x1,5
A	24
B	18
certificate	CE / PED
D	39
E	WS 41
outer Ø	152 mm
H	213 mm
material	NBR

Item attributes 49333012 (Accumulator Diaphragm Accumulator)

design	DACC	temperature max. (temp. max.)	80 ° C
brand	Freudenberg	liquid connection OT sealing surface (D)	39
country of origin	DE	oil port wrench size (E)	WS 41
inner thread oil side (IG)	G 1/2	outer diameter (outer Ø)	152 mm
outer thread oil side (AG)	M 33x1,5	height (H)	213 mm
gas port (gas port)	Standard EU M28x1,5	shore hardness	
IG insertion depth oil side (A)	24	material	NBR
AG insertion depth oil side (B)	18	packaging unit	1 pcs.
temperature min. (temp. min.)	-20 ° C	net weight	5600 gr.