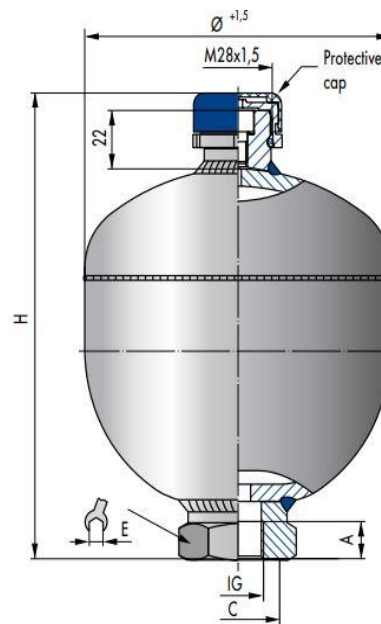


Diaphragm Accumulator | 200 - 1315 - 142 - 611 | 2 L - 250/0 BAR ESC_VOL_IMP | 156 X 255 MM ESC_IN | Steel /Membrane / Bladder- NBR | CE / PED



item no.	37006819
availability	on demand
IG	G 3/4
AG	none
gas port	Standard EU M28x1,5
A	16
certificate	CE / PED
E	WS 41
outer Ø	156 mm
H	255 mm
material	NBR

Item attributes 37006819 (Accumulator Diaphragm Accumulator)

design	DACC	temperature max. (temp. max.)	80 ° C
brand	Freudenberg	oil port wrench size (E)	WS 41
country of origin	DE	outer diameter (outer Ø)	156 mm
inner thread oil side (IG)	G 3/4	height (H)	255 mm
outer thread oil side (AG)	none	shore hardness	
gas port (gas port)	Standard EU M28x1,5	material	NBR
IG insertion depth oil side (A)	16	packaging unit	1 pcs.
temperature min. (temp. min.)	-20 ° C	net weight	8700 gr.