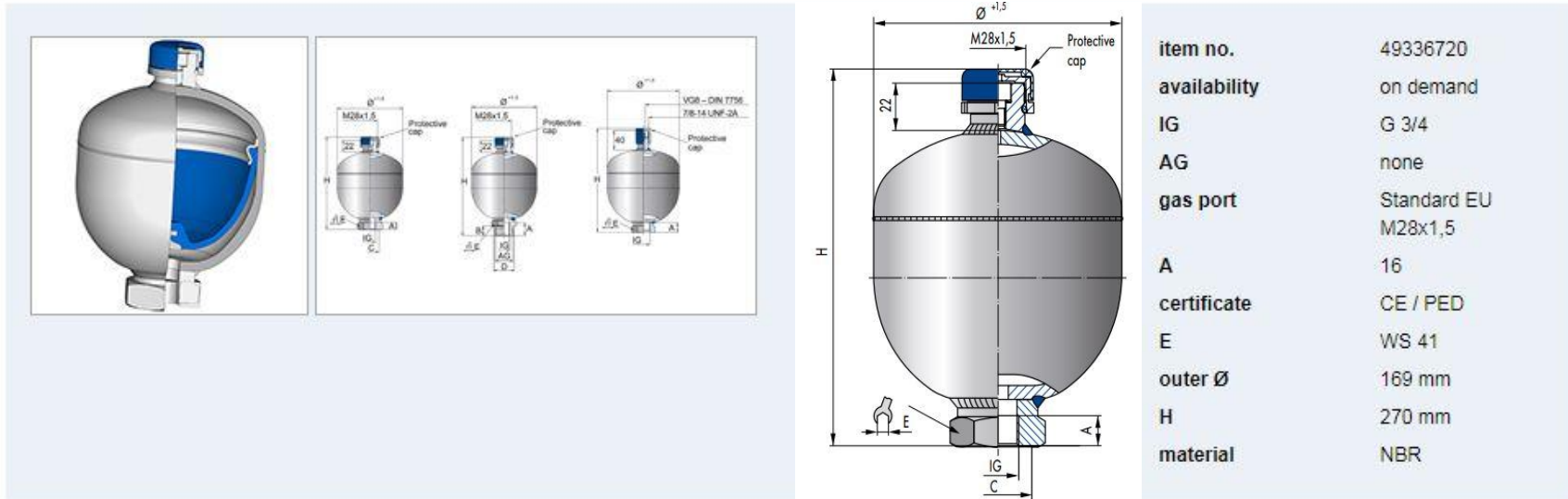


Diaphragm Accumulator | 280 - 1315 - 32 - 611 | 2,8 L - 250/0 BAR ESC\_VOL\_IMP | 169 X 270 MM ESC\_IN | Steel /Membrane / Bladder- NBR | CE / PED



Item attributes 49336720 (Accumulator Diaphragm Accumulator)

<b>design</b>	DACC	<b>temperature max. (temp. max.)</b>	80 ° C
<b>brand</b>	Freudenberg	<b>oil port wrench size (E)</b>	WS 41
<b>country of origin</b>	DE	<b>outer diameter (outer Ø)</b>	169 mm
<b>inner thread oil side (IG)</b>	G 3/4	<b>height (H)</b>	270 mm
<b>outer thread oil side (AG)</b>	none	<b>shore hardness</b>	
<b>gas port (gas port)</b>	Standard EU M28x1,5	<b>material</b>	NBR
<b>IG insertion depth oil side (A)</b>	16	<b>packaging unit</b>	1 pcs.
<b>temperature min. (temp. min.)</b>	-20 ° C	<b>net weight</b>	8500 gr.