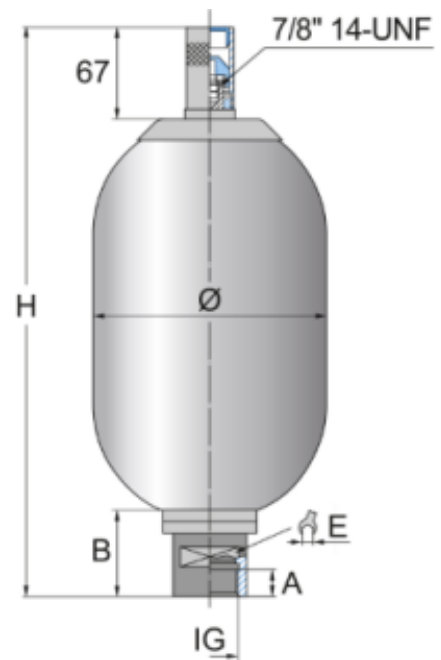


B02-350- 2,50- /114SNOO XOG V P

Artikel no. Basic Model 49374491 | Drawing no. 114-1515-022-711

Item Attributes

Order No.	49374491
IG	G1 ¼
Gas connection type	Sonderventil
A [mm]	24
B [mm]	63
Ø [mm]	114
Certificate	CE / PED
E	SW 50
H [mm]	540
Werkstoff-Familie Trennmedium	NBR
Nennvolumen in dm³	2
Temp.einsatzbereich min in °C	-20,00
Temp.einsatzbereich max in °C	80,00



* Catalogue articles do contain a gas pre-charge of 0 bar. Please specify the gas fill pressure, if departing from 0 bar, when placing the order. The article number then differs from the article number of the basic model. .