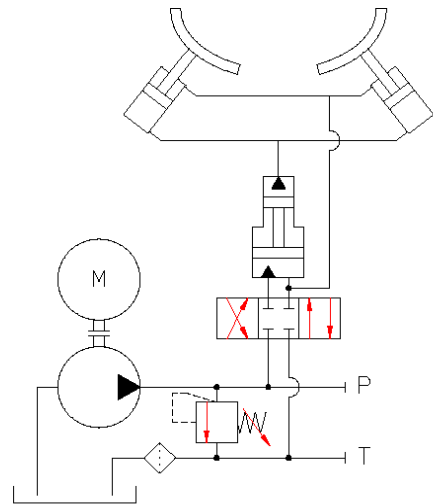
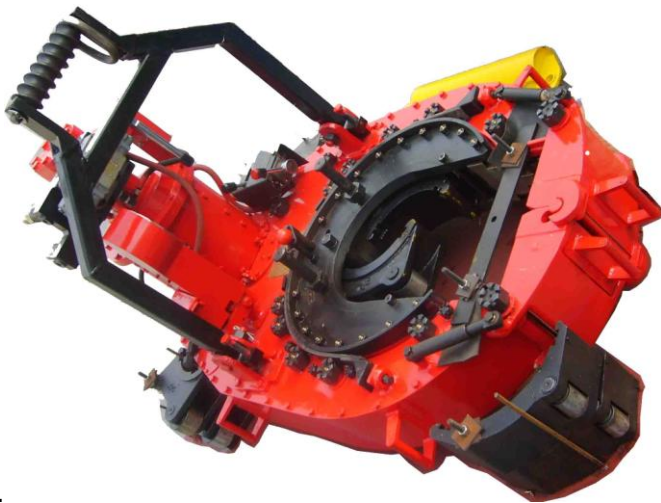


## Scanwill Intensifiers used in Casing Tongs

The Scanwill Intensifier has been used in the Casing Tongs application for many years. In order to secure the pipe during the connection process, a high clamping force is required. If the hydraulic system does not have the necessary system pressure the tongs will not have the required holding capacity. To overcome this problem, the Scanwill Intensifier can easily be designed into the hydraulic system and the outlet pressure is multiplied. The Scanwill Intensifier has pressure ratios ranging from 1.5 to 16. Using the intensifier, you will get the speed and flexibility of the standard hydraulic power unit with the high pressure capabilities.

Some of the companies using the Scanwill Intensifiers are National Oilwell Varco, Weatherford and Ensign. For this industry Scanwill has supplied both standard and special design units.



Intensifiers used to secure the force in casing clamps:

Hydraulic Block with an intensifier integrated



Special design to accommodate space requirement in the tong



Standard MP-T & MP-L intensifiers

