

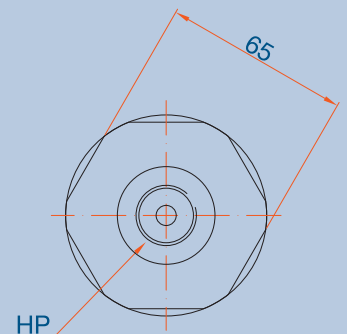
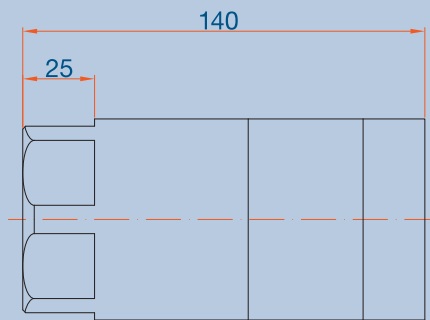
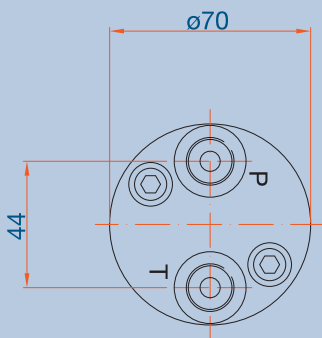


- In-Line Pressure Intensifier
- End pressure up to 800 bar / 11,600 psi
- Multiple intensification ratios available
- Reciprocating - delivers continuous flow during pressure build up
- All high pressure valves are integrated including a p.o. check valve

## The MP-M Pressure Intensifier

Ratio (i)	Max. Inlet flow (LPM / GPM)	Outlet Flow Q1 (LPM / GPM)	Outlet Flow Q2 (LPM / GPM)	Max. Supply Pressure (bar / psi)	Max. Output Pressure (bar / psi)
1.8	25.0 / 6.6	5.0 / 1.32	1.5 / 0.39	200 / 2,900	360 / 5,220
3.4	35.0 / 9.3	5.0 / 1.32	2.8 / 0.74	200 / 2,900	680 / 9,860
4.0	35.0 / 9.3	4.0 / 1.06	2.4 / 0.63	200 / 2,900	800 / 11,600
5.0	35.0 / 9.3	3.5 / 0.93	1.9 / 0.50	160 / 2,030	800 / 11,600
7.0	35.0 / 9.3	3.0 / 0.80	1.3 / 0.34	114 / 1,450	800 / 11,600

Weight : 3.5 kg



P & T: G3/8" (3/8" BSP)  
 HP: G1/2" (1/2" BSP)

Dimensions in mm

### Ordering code

Intensification					
1.8	3.4	4.0	5.0	7.0	

### Example

MP-M with intensification 7.0: MP-M-7.0